



UPA

AIR PURIFYING UNITS



- PURIFIES INDOOR AIR
- IMPROVES HEALTH
- CLEANS PARTICLES AND ODOURS
- PERFECT FOR INDUSTRY AND HIGH OCCUPATION PREMISES
- OPTIMAL FOR DATA CENTRES
- SUITABLE FOR PHARMACEUTICAL AND HEALTHCARE INDUSTRIES



STAGES OF FILTRATION

ACTIVATED CARBON	EFFICIENCY 70%	99.95% EFFICIENCY	LAMP UVC GERMICIDE

UPA



Units specifically designed for cleaning and purification of indoor air, in any type of premises and especially in areas with high occupancy, also suitable for pharmaceutical and healthcare applications.



Features:

- Plug-fan type fans with EC technology.
- Efficient, adjustable and low noise level equipment.
- Filtration stages according to model
 - First stage of F7 Filtering.
 - Activated carbon filter.
 - Final filter F9.
 - HEPA H14 final filter, 99.95% efficiency.
 - UVc germicidal chamber, depending on order code.
- Control panel with on / off and dirty filters indicator.
- Germicidal chamber operation led indicator.
- Fully removable access door for cleaning and maintenance
- Insulated panels.

Motor:

- High efficiency, external rotor, E.C. technology motors, incorporating constant flow regulation, with two, pre-adjustable set points.
- Single phase 200-230V– 50 / 60Hz.

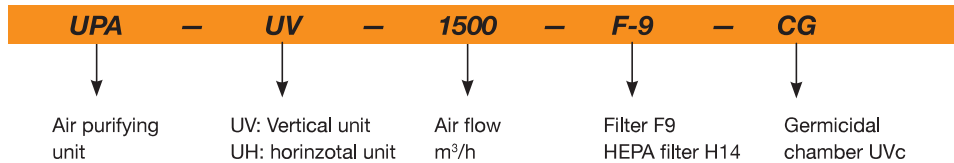
Finish:

- Frames made form aluminum section and 25mm insulated panels, pre-finished exterior, galvanized interior.

On demand:

- Drive Module 1 Front grille.
- Drive module with circular ducts.
- Equipped with wheels.

Order code



Technical characteristics

Model	Recommended effective working area ¹ (m ²)	Maximum flow (m ³ /h) (CFM)	Available pressure (Pa)	Power supply (V)	Sound level dB(A)	Fan (KW)	Weight (kg)	
UPA-UV-1500	200-350	1.500	883	250	200-230V 50/60Hz 1Ph	47	0,76	113
UPA-UV-3000	300-450	3.000	1766	250	200-230V 50/60Hz 1Ph	51	1,35	140
UPA-UV-4500	450-900	4.500	2649	300	200-230V 50/60Hz 1Ph	55	2,7	177
UPA-UV-6000	900-1,100	6.000	3531	250	200-230V 50/60Hz 1Ph	59	5,4	215
UPA-UH-1500	200-350	1.500	883	250	200-230V 50/60Hz 1Ph	47	0,76	108
UPA-UH-3000	300-450	3.000	1766	250	200-230V 50/60Hz 1Ph	52	1,52	138
UPA-UH-4500	450-900	4.500	2649	250	200-230V 50/60Hz 1Ph	55	2,7	135
UPA-UH-6000	900-1,100	6.000	3531	250	200-230V 50/60Hz 1Ph	59	5,4	155

¹ Recommended area with a 3 meter high premises. * Available pressure with G4 and F9 filter

Construction

Vertical Unit (UV)

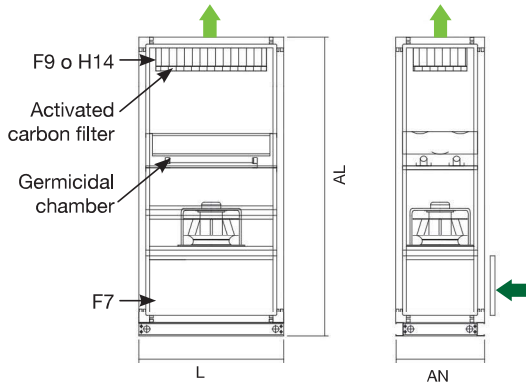
Vertical Unit (UV) ideal for direct use in the rooms being purified, it can also be supplied on request with a drive module with outlet diffusion grille and with wheels if required.

Horizontal Unit (UH)

Horizontal Unit (UH) deigned to be installed in ceiling spaces and ducted to the areas where the air needs to be treated.

Dimensions mm

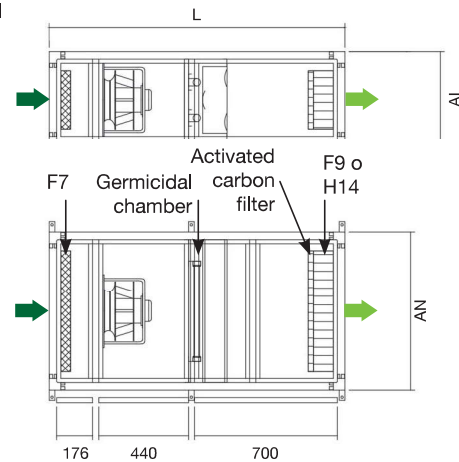
Vertical Unit



Model	L (mm)	AN (mm)	AL (mm)
UPA-UV-1500	774	474	1600
UPA-UV-3000	774	779	1600
UPA-UV-4500	1079	779	1600
UPA-UV-6000	1504	779	1600

*Data subject to change without prior notice.

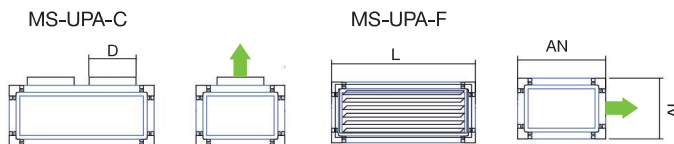
Horizontal Unit



Model	L (mm)	AN (mm)	AL (mm)
UPA-UH-1500	1450	774	479
UPA-UH-3000	1450	1366	479
UPA-UH-4500	1450	1069	779
UPA-UH-6000	1450	1366	779

*Data subject to change without prior notice.

Drive modules



Model	L (mm)	W (mm)	H (mm)	D (mm)	Number of ducts	Weight (Kg)
MS-UPA-1500	774	474	324	250	2	25
MS-UPA-3000	774	779	490	250	4	33
MS-UPA-4500	1079	779	490	250	6	42
MS-UPA-6000	1504	779	490	-	-	55

Filtered

These air purification units are equipped with filters capable of removing at least 70% of particles larger than 0.4µm.

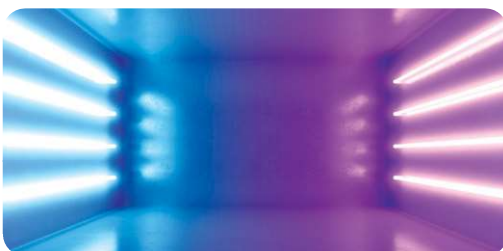
The standard model comes with a first G-4 filter stage and a final F-9 filter, it also incorporates as standard, an activated carbon stage, designed to remove stale odours produced during everyday use of the premises.

Depending on model type H14 HEPA filters can be installed with a minimum retention capacity of 99.95% for particles larger than 0.3µm.

Filters	EN 779 Em	EN 1822	ISO 16890			
			ISO ePM ₁	ISO ePM _{2,5}	ISO ePM ₁₀	ISO COARSE
G4	90%	-	-	-	-	>90%
F7	90%	-	>50%	>65-95%	>85%	-
F9	95%	-	>80%	>95%	>95%	-
HEPA H14	-	>99,995%	-	-	-	-

Technical characteristics of the UVC germicidal lamp

Depending on model and on request, these purification units can be supplied with an integrated germicidal chamber using UV "C" ultraviolet lamps, in the spectrum of 256 nm wave amplitude to inactivate a wide variety of microorganisms by absorbing short wavelength energy through DNA and RNA.



Model	Number of lamps	Total electrical power (W)	Total UVC radiation power (W)	Dose ratio* (mJ/cm ²)
CG-UV-1500	3	48	21	4,85
CG-UV-3000	7	112	48	5,66
CG-UV-4500	4	216	70	5,39
CG-UV-6000	14	224	98	5,47
CG-UH-1500	3	48	21	5,17
CG-UH-3000	2	150	51	6,28
CG-UH-4500	4	216	70	5,89
CG-UH-6000	14	224	98	6,04

*Minimum dose calculated based on flow with F7 +F9 filters